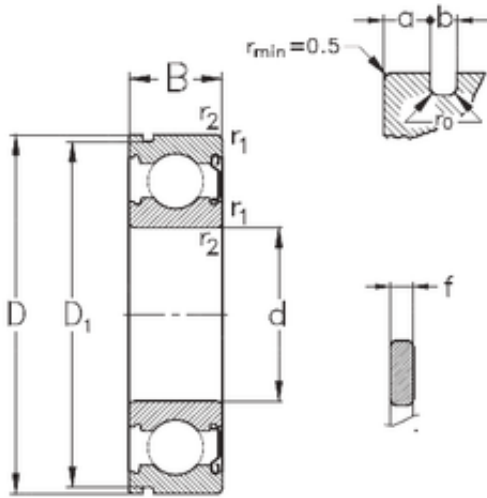




???? ???? ????????



35 mm x 80 mm x 21 mm NKE 6307-Z-NR

Bearing No. 6307-Z-NR

Size	35x80x21 mm
Bore Diameter	35 mm
Outer Diameter	80 mm
Width	21 mm
d	35 mm
D	80 mm
B	21 mm
C	21 mm
a	3,28 mm
b	1,9 mm
f	1,7 mm
r1 min.	1,5 mm
r2 min.	1,5 mm
D1	76,81 mm
D2	86,6 mm
Weight	0,458 Kg
Basic dynamic load rating (C)	33,4 kN
Basic static load rating (C0)	19,2 kN

6307-Z-NR Bearing 2D drawings and 3D CAD models