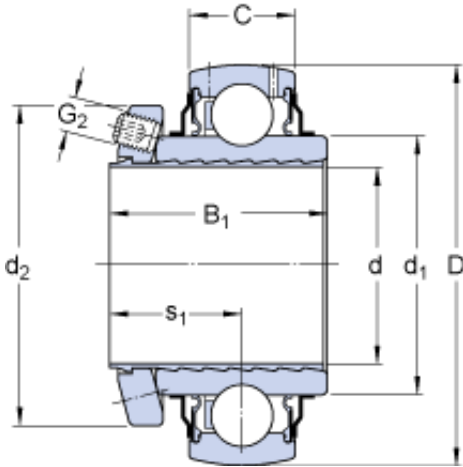




???? ???? ????????



SKF E2.YSP 209 SB-2F

Bearing No. E2.YSP 209 SB-2F

E2.YSP 209 SB-2F Bearing 2D drawings and 3D CAD models

Size	85x45x44 mm
Bore Diameter	85 mm
Outer Diameter	45 mm
Width	44 mm
d	45 mm
D	85 mm
B ₁	44 mm
C	22 mm
d ₁	56.8 mm
d ₂	67 mm
s ₁	26.5 mm
Basic dynamic load rating - C	33.2 kN
Basic static load rating - C ₀	21.6 kN
Fatigue load limit - P _u	0.915 kN
Limiting speed	4300 r/min
Calculation factor - f ₀	14
Mass bearing	0.64 kg
Thread - G ₂	M6
Hexagonal key size for grub screw - H	3 mm
Category	Bearings
Inventory	0.0
Manufacturer Name	SKF



???? ??????????.

Minimum Buy Quantity	N/A
Weight / Kilogram	0
Product Group	M06110